

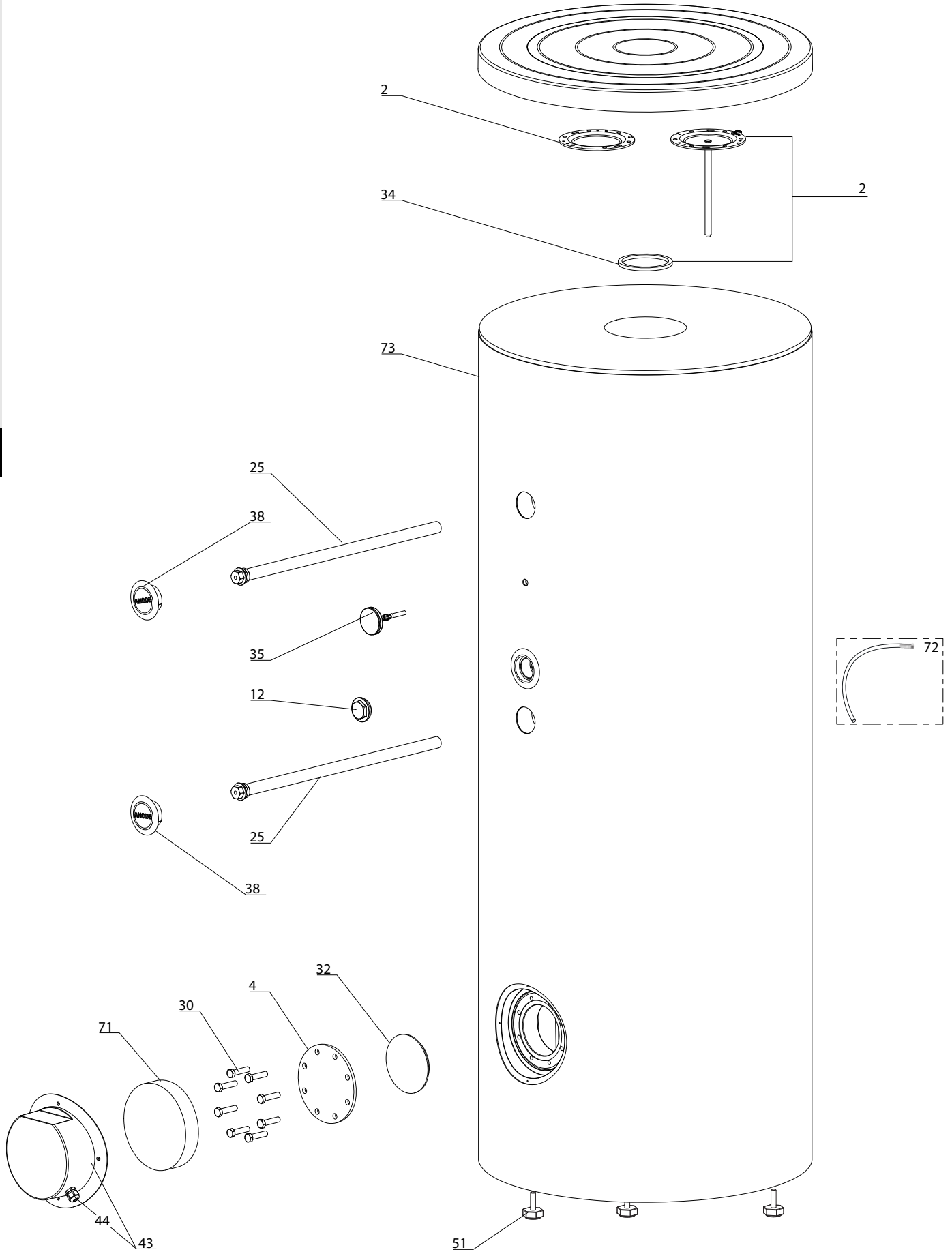
SPARE PARTS EXPLODED VIEW BOILERS

Model

BC / IFP / AS2S - 2

R8203492-04 - 08/02/2018

1	000003060561	BC1S 200-2	05-2017	-
1	3070468	BC1S CD1 200 CHX - EU 2	09-2017	-
1	3070469	BC1S CD1 200 STY - EU 2	09-2017	-
1	3070470	BC1S CD1 200 ARI - EU 2	09-2017	-
2	000003060562	BC1S 300-2	05-2017	-
2	3070524	BC1S CD1 300 CHX - EU 2	09-2017	-
2	3070525	BC1S CD1 300 STY - EU 2	09-2017	-
2	3070526	BC1S CD1 300 ARI - EU 2	09-2017	-
2	3070527	IFP CD1 300 FLE - EU 2	09-2017	-
3	000003060565	BC1S 450-2	05-2017	-
3	3070529	BC1S CD1 450 CHX - EU 2	09-2017	-
3	3070530	BC1S CD1 450 STY - EU 2	09-2017	-
3	3070532	IFP CD1 450 FLE - EU 2	09-2017	-
3	3070531	BC1S CD1 450 ARI - EU 2	09-2017	-
4	000003060563	BC2S 200-2	05-2017	-
4	3070534	AS2S CD2 200 CHX - EU 2	09-2017	-
4	3070535	BC2S CD2 200 ARI - EU 2	09-2017	-
5	000003060564	BC2S 300-2	05-2017	-
5	3070537	AS2S CD2 300 CHX - EU 2	09-2017	-
5	3070538	BC2S CD2 300 ARI - EU 2	09-2017	-
6	000003060566	BC2S 450-2	05-2017	-
6	3070540	AS2S CD2 450 CHX - EU 2	09-2017	-
6	3070541	BC2S CD2 450 ARI - EU 2	09-2017	-
Col	Reference	Model type	Begin	End



LIST OF THE ABBREVIATIONS

HW	: Hot water.
CW	: Cold water.
C	: Ceramic resistance (normal heating).
Ca	: Ceramic resistance (accelerated heating)
TP	: Immersion heater.
1F	: With fittings.
2F	: Without fittings.
3F	: With fittings and another outlet connection.
AMI	: With mixing valve.
SMI	: Without mixing valve.
PUISS	: Power of the appliance.
PN	: Appliance with normal pressure.
LP	: Appliance with low pressure.
PV	: Appliance with variable power.
PF	: Appliance with fixed power.

IDENTIFICATION PLATE

SERIAL NUMBER

9 Characters : 07 91 00301 (from 01/77 to 12/92)

Month of manufacture _____ Sequential number
Year of manufacture _____

10 Characters : 95 01 065004 (from 01/93 to 06/95)

Year of manufacture _____ Sequential number
Month of manufacture _____

OU

10 Characters : 01 95 065004 (from 07/95)

Month of manufacture _____ Sequential number
Year of manufacture _____

12 Characters : 924 2 3 134 0115

Product reference _____ Sequential number
Year of manufacture _____ Manufacturing day

15 ou 16 Characters : (0)03 070 0001 893077 (from 01/97 to 01/05)

Year of manufacture _____ Product reference
Day of manufacture _____ Sequential number

OU

16 Characters : 05 070 0001 0000000 (from 02/05)

Year of manufacture _____ Product reference
Day of manufacture _____ Sequential number

17 Characters : 07 070 00315 3070107

Year of manufacture _____ Product reference
Sequential number
Manufacturing day (70)

21 Characters : 3000115 XX 08115 0000001

Product reference _____ Sequential number
Year (08) / Manufacturing day (115)

22 Characters : 3000115 XX 070416 0000001

Product reference _____ Sequential number
Year (07) / Month (04) / Manufacturing day (16)